

ACCESSORIES

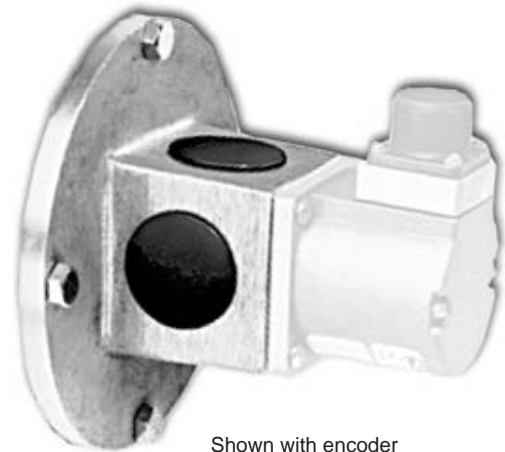


C-FACE ADAPTER

NEMA C-Face Adapter

Key Features

- “Flower Pot” Style Adapter Kit
- Provides Spacer, Coupling and all Necessary Hardware
- 5/8” I.D. Coupling for 56C Motor Shafts with Extensions from 1.1” to 1.8” Long
- Accepts Any 2.5” Square Flange Encoder



Shown with encoder mounted (not included)

SPECIFICATIONS

COMPATIBLE ENCODERS

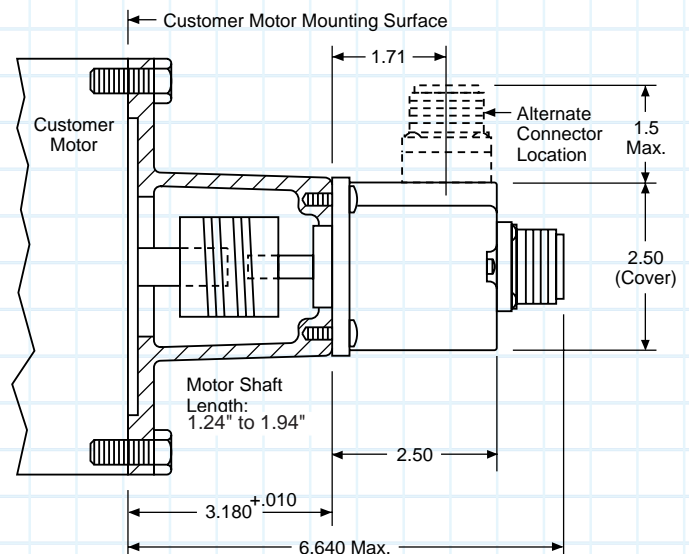
The adapter may be used with the listed series encoders having the specified mounting configurations.

Encoder Series	Mounting Configuration
Incremental Encoders	
HA25	2.5” Flange
HC25	2.5” Flange
HR25	2.5” Flange
HD25	2.5” Flange
Hazardous Series HD25	2.5” Flange
HE25	2.5” Flange
IE25	2.5” Flange
HA725	2.5” Flange
H42	2.5” Flange
Absolute Encoders	
AI25	2.5” Flange
AR62/63	2.5” Flange
Resolvers	
R25	2.5” Flange
RF25	2.5” Flange

ORDERING INFORMATION

Model No.	Description
FPA1	NEMA C Face Adapter, 5/8” Motor Shaft
FPA2	NEMA C Face Adapter, 7/8” Motor Shaft
FPA3	NEMA C Face Adapter, 1” Motor Shaft

DIMENSIONS



ACCESSORIES

5PY ADAPTER

Dynapar™ brand

5PY Adapter for 2-1/2" Encoders

Key Features

- Kits Include Mounting Plate and Hardware
- Makes Servo Mount 2.5" or 60A Encoders Interchangeable with 5PY DC Tach Generators.



Encoder not included

SPECIFICATIONS

ORDERING INFORMATION

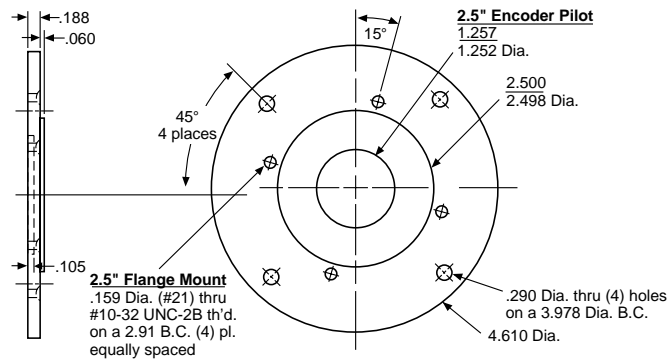
The adapter may be used with the listed series encoders having the specified mounting configurations.

Adapter Model No.	Description	Compatible Encoder Series	Mounting Configuration
5PY1	5PY Adapter Kit for 2.5" Square Flange Encoders	HA25, HC25, HR25, HD25, Hazardous Series HD25, HE25, IE25, HA725, H42, AI25, AR62/63, R25, RF25	2.5" Square Flange
5PY2	5PY Adapter Kit for 60 Rotopulser	60 Rotopulser	2.5" Servo Flange (A and C Housings Only)
5PY3	5PY Adapter Kit for 2.5" Servo Flange Encoders	HA25, HC25, HR25, HE25, IE25, AI25, R25	2.5" Servo Flange

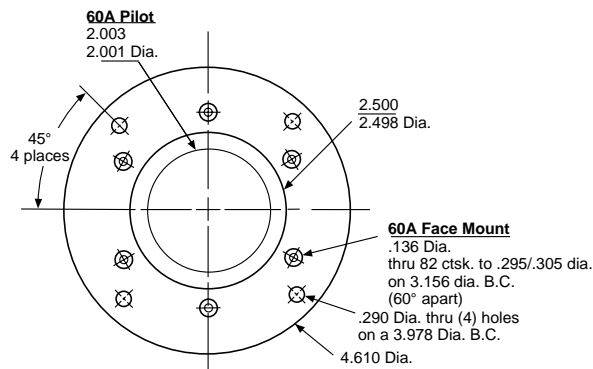
5PY ADAPTER



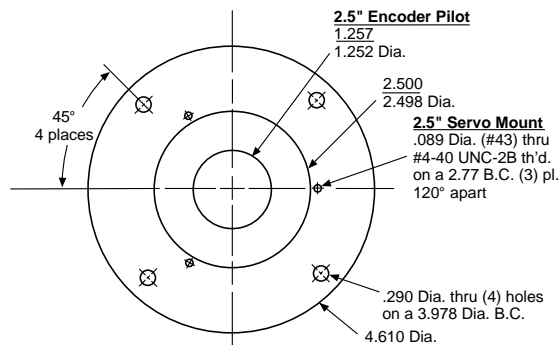
DIMENSIONS



5PY1



5PY2



5PY3

ACCESSORIES

5PY ADAPTER

Dynapar™ brand

5PY Adapter for X25 Encoders

Key Features

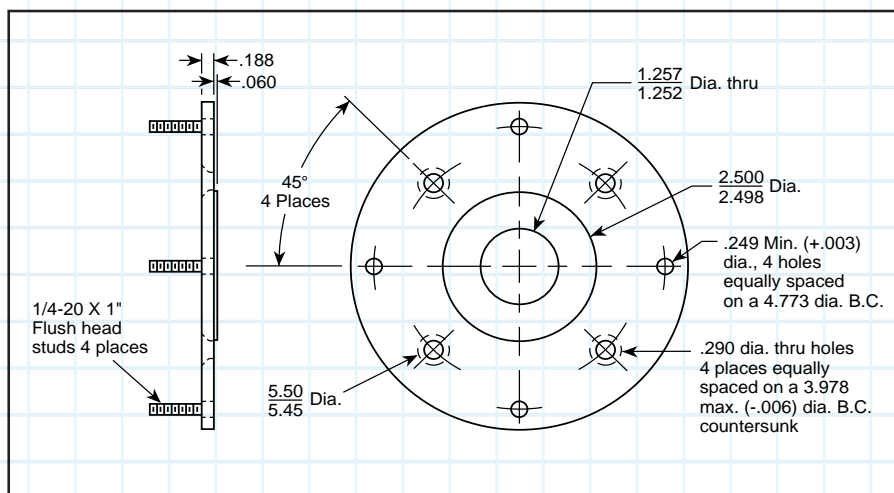
- Kits include Mounting Plate and Hardware
- Makes Servo X25 Encoders Interchangeable with 5PY DC Tach Generators.



Encoder not included. (Hardware to mount encoder to adapter is included.)

SPECIFICATIONS

DIMENSIONS



ORDERING INFORMATION

Model No.	Description
MPAEX5PY	5PY Adapter Kit for X25 encoder

